



GENERAL FEATURES

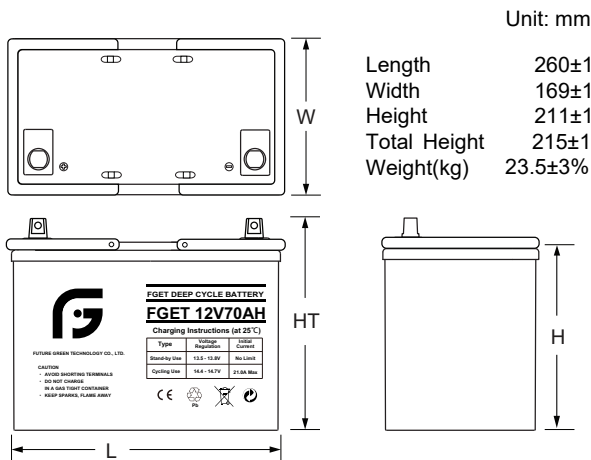
- **Long Service Life** - Thick plate design and efficient gas recombination yield a service life expectancy of up to 10 years in standby mode.
- **Low Internal Resistance** - Superb high-rate discharge characteristics ensure reliable performance in UPS and Telecom applications.
- **Maintenance-Free, Non-Spillable** - Proven VRLA technology guarantees safe operation without maintenance and 'non- restricted article' status for transportation.
- **Low Self-Discharge** - Lead-calcium alloy grids and use of high purity lead account for superior shelf-life characteristics permitting storage for extended periods of time.
- **Designed-In Reliability** - Cutting-edge manufacturing and process control combined with meticulous quality assurance procedures guarantee consistent and dependable performance

PERFORMANCE SPECIFICATIONS

Nominal Voltage	12V(6 cells)	
Design Floating Life @25°C	12 Years	
Nominal Capacity @25°C	20 hour rate	70.00Ah
	3.50A to 10.50V	
	10 hour rate	62.00Ah
	6.2A to 10.50V	
Internal Resistance	5 hour rate	55.50Ah
	11.10A to 10.20V	
	3 hour rate	51.60Ah
	17.20A to 9.90V	
Energy Density (20-hr. rate)	1 hour rate	41.90Ah
	41.90A to 9.60V	
	Full Charged Battery@25°C	<7.0mΩ
Specific Energy (20-hr. rate)	1 Month	97%
	3 Months	91%
	6 Months	83%
Max.Discharge Current@25°C	7 Min.	225.0A
	10 Sec	560.0A
Max Short-Duration Discharge Current	Standby Use Charge (Constant Voltage) @25°C	
	Initial Charging Current Less than 22.5A Voltage 13.6-13.8V	
Standby Use Charge (Constant Voltage) @25°C	Cycle Use Charge (Constant Voltage) @25°C	
	Initial Charging Current Less than 22.5A Voltage 14.2-14.4 V	
Operating Temperature Range	Charge	-20°C to 50°C
	Discharge	-40°C to 60°C

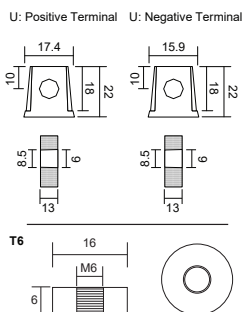


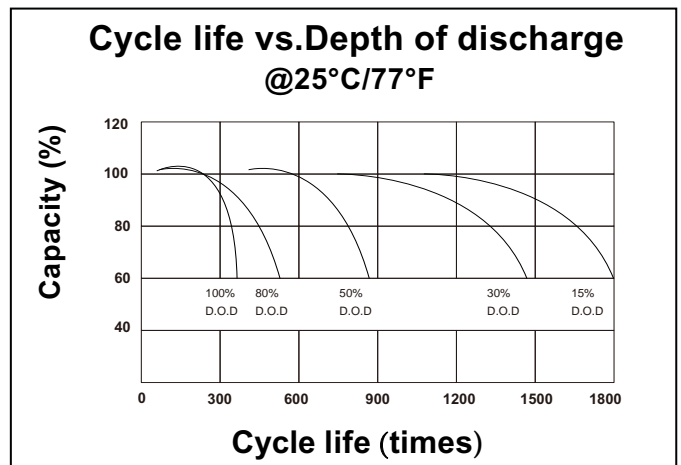
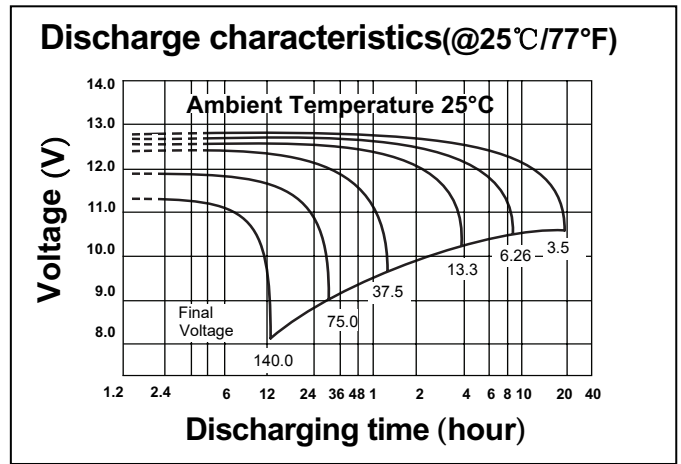
GENERAL FEATURES mm



TERMINALS mm

- U: Universal terminals: Heavy-duty posts with 'nut & bolt' fasteners
- T6: Threaded insert w. 6 mm stud fastener





CONSTANT CURRENT DISCHARGE RATINGS (Amperes at 25°C)

F.V/Time	10MIN	15MIN	30MIN	1HR	2HR	3HR	4HR	5HR	8HR	10HR	20HR
1.60V	129.7	101.5	66.8	39.1	23.4	16.2	13.4	11.3	7.70	6.39	3.85
1.65V	123.5	99.4	65.7	38.9	23.2	16.1	13.3	11.2	7.64	6.32	3.71
1.70V	119.1	97.9	65.1	38.6	23.0	16.0	13.3	11.1	7.57	6.26	3.61
1.75V	111.2	94.3	65.2	38.2	22.9	15.9	13.1	11.0	7.51	6.20	3.50
1.80V	102.6	87.9	64.7	37.3	22.5	15.5	12.8	10.8	7.39	6.14	3.29
1.85V	92.8	79.8	61.2	35.5	21.5	14.8	12.2	10.3	7.07	5.96	3.15