



GENERAL FEATURES

- Electric Vehicle/Bike/Tricycle
- Electric Wheelchair
- Electric Scooter
- Electric play Car for children
- Garbage Truck
- Patrol Car

GENERAL FEATURES

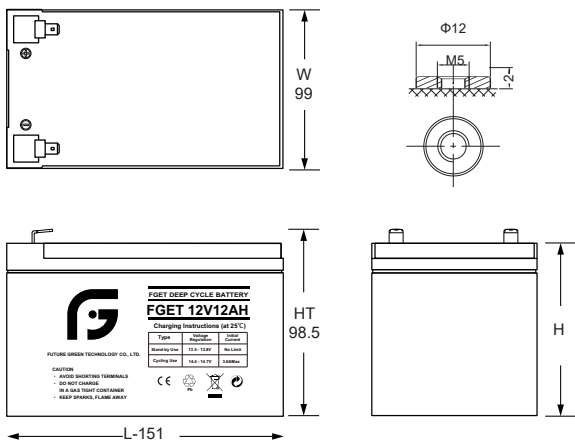
- High Corrosion Resistant Performance: Pb-Camulti-alloy grid
- High Energy Density and Power Density
- Excellent Charge Acceptance Ability
- Strong High and Low-Temperature Performance
- Optimized Capability of instant High-current Discharging
- Low self-discharge rate

PERFORMANCE SPECIFICATIONS

Nominal Voltage	12V	
Nominal Capacity (3hour rate)	12Ah	
Design Life @25°C	5 years	
Terminal	M5	
Approx. Weight	4.10kg (9.05lbs)	
Container Material	ABS	
Rated Capacity	10 hour rate (1.54A to 10.5V)	15.4Ah
	2 hour rate (6.00A to 10.5V)	12.0Ah
	1 hour rate (10.5A to 10.5V)	10.5Ah
Discharge Temperature	-20~50°C	
Charge Temperature	-20~40°C	
Storage Temperature	-20~50°C	
Float use	13.6~13.9V	
Standby Use Charge (Constant Voltage) @25°C	13.6~13.9V	
Cycle Use Charge (Constant Voltage) @25°C	14.7-14.9V	
Self discharge @25°C	3% of capacity declined per month	
Maximum charging current	2.4A	

MEASUREMENT

Unit: mm



CONSTANT CURRENT DISCHARGE RATINGS (Amperes at 25°C)

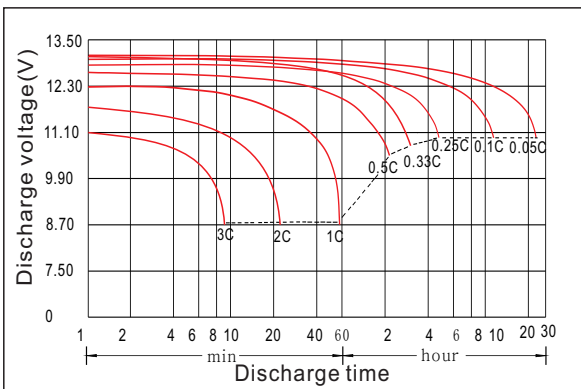
FV/Time	5min	15min	30min	1h	2h	3h	5h	8h	10h	20h
1.60V	56.40	30.30	18.400	10.800	6.170	4.580	3.010	1.930	1.580	0.830
1.65V	54.60	29.40	18.100	10.700	6.140	4.530	2.980	1.910	1.570	0.830
1.70V	52.50	28.70	17.800	10.600	6.100	4.460	2.950	1.900	1.550	0.820
1.75V	48.20	27.80	17.600	10.500	6.000	4.420	2.910	1.880	1.540	0.820
1.80V	43.20	25.90	16.900	10.200	5.890	4.380	2.840	1.870	1.520	0.810
1.85V	38.60	23.100	15.400	9.450	5.590	4.130	2.700	1.790	1.480	0.800

Constant Power Discharge Characteristics Unit: W/cell(25°C, 77°F)

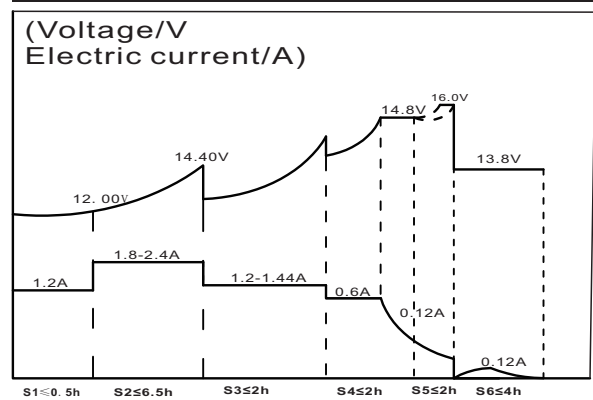
FV/Time	5min	15min	30min	1h	2h	3h	5h	8h	10h	20h
1.60V	94.50	53.30	33.300	20.400	11.700	8.700	5.700	3.750	3.050	1.640
1.65V	90.90	52.40	33.000	20.200	11.600	8.590	5.670	3.720	3.020	1.640
1.70V	90.40	51.80	33.000	20.000	11.600	8.540	5.630	3.700	2.990	1.630
1.75V	84.30	51.50	32.800	19.900	11.500	8.500	5.590	3.670	2.950	1.620
1.80V	77.40	48.60	32.100	19.700	11.500	8.460	5.530	3.640	2.920	1.610
1.85V	69.10	43.500	29.400	18.300	11.000	8.050	5.280	3.520	2.880	1.600

Disclaimer: Manufacturers have the right to self-modify the parameters of the product updates, please keep in touch with manufacturers to obtain the latest information.

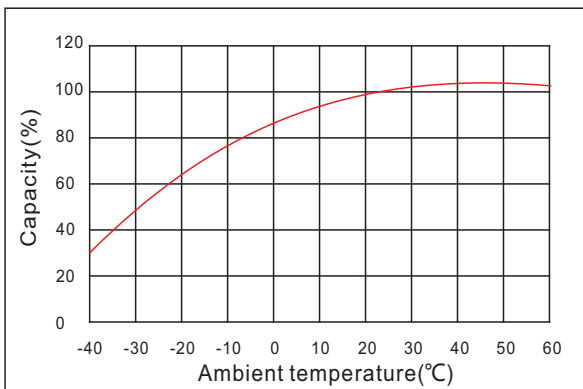
Discharge characteristic



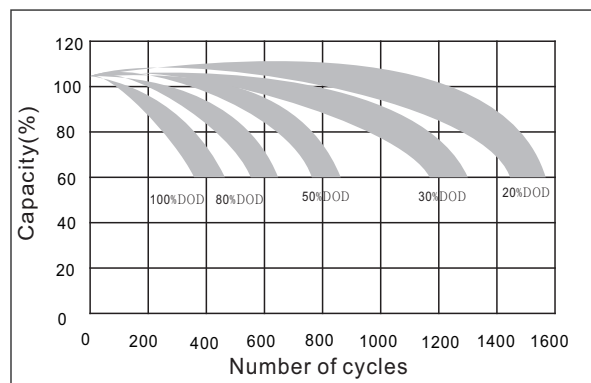
Charging characteristic



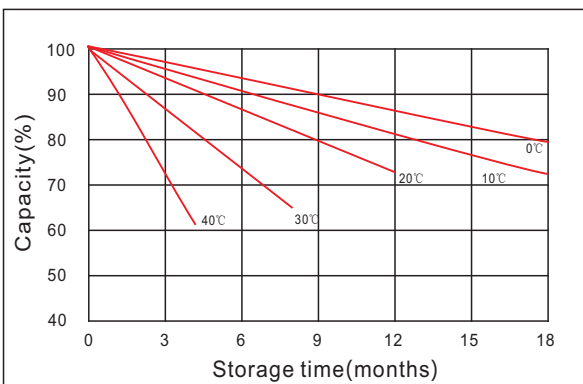
The effect of temperature on capacity



The effect of discharge depth on cycle life



Curves of self-discharge



Curves of open circuit voltage vs. capacity

