



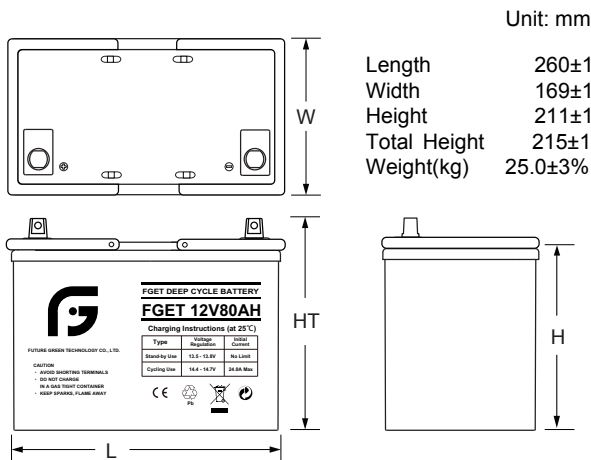
### GENERAL FEATURES

- **Long Service Life** - Thick plate design and efficient gas recombination yield a service life expectancy of up to 10 years in standby mode.
- **Low Internal Resistance** - Superb high-rate discharge characteristics ensure reliable performance in UPS and Telecom applications.
- **Maintenance-Free, Non-Spillable** - Proven VRLA technology guarantees safe operation without maintenance and 'non-restricted article' status for transportation.
- **Low Self-Discharge** - Lead-calcium alloy grids and use of high purity lead account for superior shelf-life characteristics permitting storage for extended periods of time.
- **Designed-In Reliability** - Cutting-edge manufacturing and process control combined with meticulous quality assurance procedures guarantee consistent and dependable performance

### PERFORMANCE SPECIFICATIONS

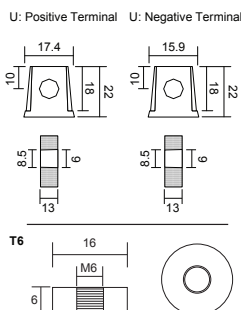
<b>Nominal Voltage</b>	12V(6 cells)	
<b>Design Floating Life @25°C</b>	12 Years	
<b>Nominal Capacity @25°C</b>	20 hour rate	80.00Ah
	4.00A to 10.50V	
	10 hour rate	70.90Ah
	7.09A to 10.50V	
<b>Internal Resistance</b>	5 hour rate	63.50Ah
	12.70A to 10.20V	
	3 hour rate	55.20Ah
	18.40A to 9.90V	
<b>Energy Density (20-hr. rate)</b>	1 hour rate	44.70Ah
	44.70A to 9.60V	
	Full Charged Battery@25°C	<7.0mΩ
<b>Specific Energy (20-hr. rate)</b>	100.22W-h/l	
<b>Shelf Life (nominal capacity at 20°C)</b>	38.40W-h/kg	
	1 Month	97%
	3 Months	91%
<b>Max Short-Duration Discharge Current</b>	6 Months	83%
	10 Sec	450.0A
<b>Standby Use Charge (Constant Voltage) @25°C</b>	Initial Charging Current	
	Less than 24.0A	
<b>Cycle Use Charge (Constant Voltage) @25°C</b>	Voltage 13.6-13.8V	
	Initial Charging Current	
<b>Operating Temperature Range</b>	Less than 24.0A	
	Voltage 14.2-14.4 V	
	Charge	-20°C to 50°C
	Discharge	-40°C to 60°C

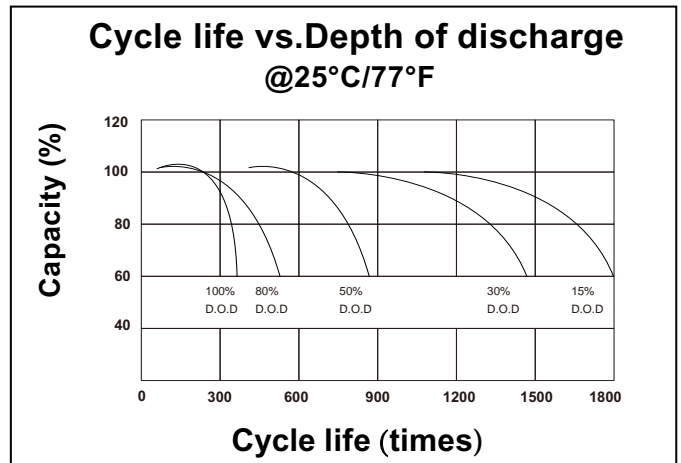
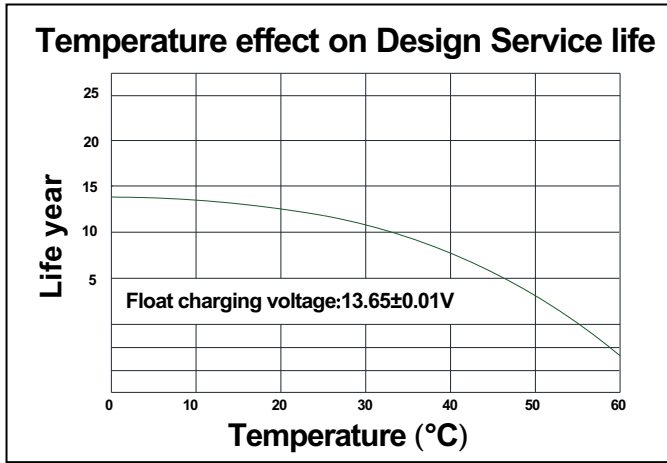
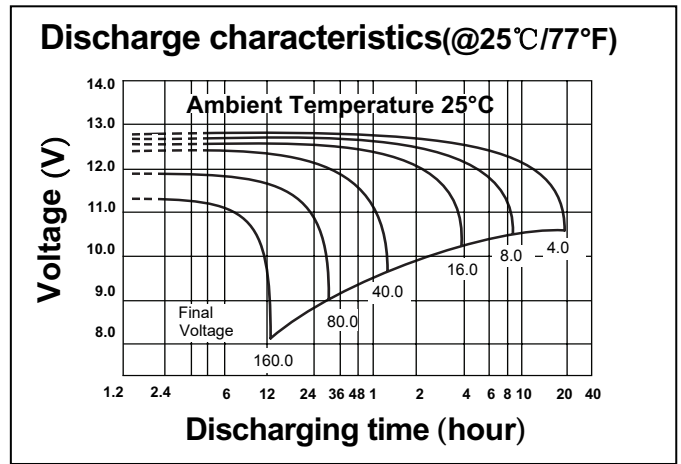
### GENERAL FEATURES mm



### TERMINALS mm

- U: Universal terminals: Heavy-duty posts with 'nut & bolt' fasteners
- T6: Threaded insert w. 6 mm stud fastener





**CONSTANT CURRENT DISCHARGE RATINGS (Amperes at 25°C)**

F. V/Time	10MIN	15MIN	30MIN	1HR	2HR	3HR	4HR	5HR	8HR	10HR	20HR
9.60V	148.3	116.0	76.3	44.7	26.7	18.5	15.3	12.9	8.80	7.30	4.40
10.0V	141.1	113.7	75.0	44.5	26.5	18.4	15.2	12.8	8.73	7.23	4.24
10.2V	136.1	111.9	74.4	44.1	26.3	18.3	15.2	12.7	8.65	7.16	4.12
10.5V	127.1	107.8	74.5	43.7	26.1	18.2	15.0	12.6	8.58	7.09	4.00
10.8V	117.3	100.5	74.0	42.7	25.7	17.7	14.7	12.3	8.44	7.02	3.76
11.1V	106.0	91.2	69.9	40.5	24.5	16.9	14.0	11.8	8.08	6.81	3.60